










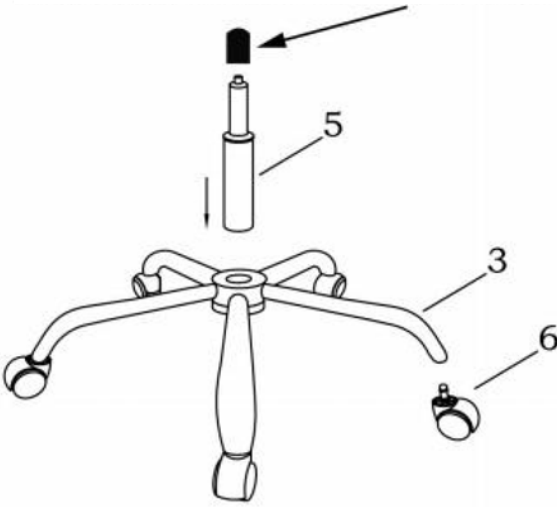
ITEM NAME/NOM D'ITEM: MILES OFFICE CHAIR
 ITEM #/NO.ITEM: 101753 / 101754 / 101755

PARTS LIST/LISTE DES PIÈCES

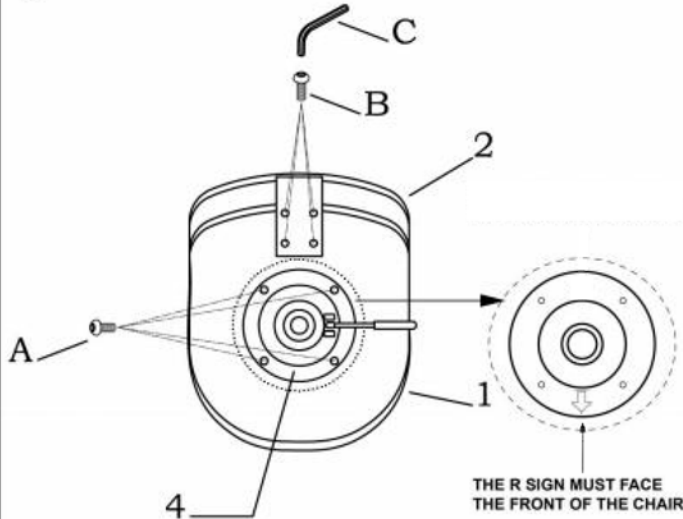
(1)	(2)	(3)	(4)	(5)	(6)	(7)
						A.  M6×16mm x4 B.  M6×22mm x4 C.  5mm x1
x1	x1	x1	x1	x1	x5	

ASSEMBLY INSTRUCTIONS/INSTRUCTIONS D'ASSEMBLAGE

I REMOVE THE CAP BEFORE ASSEMBLE

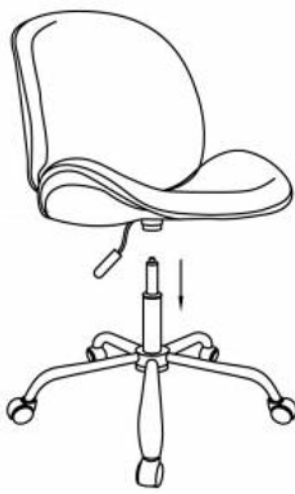


II




THE R SIGN MUST FACE THE FRONT OF THE CHAIR

III



IV



For missing parts or damaged parts, please call

USA : 1-866-798-6663

Canada : 514-382-6661

AI-V4-210121