


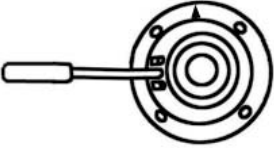
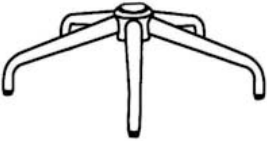




ITEM NAME/ NOM D'ITEM:BYRON OFFICE CHAIR

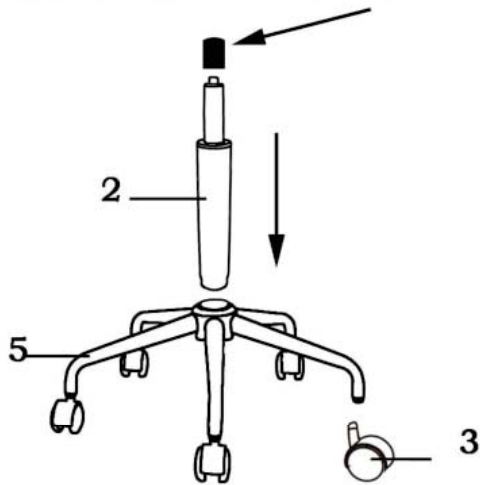
ITEM#/NO. ITEM:101780/101781/101782

PART LIST / LISTE DES PIÈCES

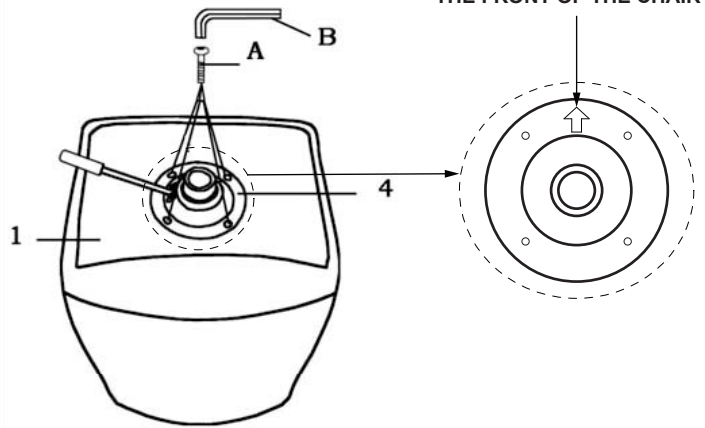
| (1) | (2) | (3) |
|--|--|--|
|  x1 |  x1 |  x5 |
| (4) | (5) | (6) |
|  x1 |  x1 | A.  M6x16mm x4 B.  5mm x1 |

ASSEMBLY INSTRUCTIONS / INSTRUCTIONS D'ASSEMBLAGE

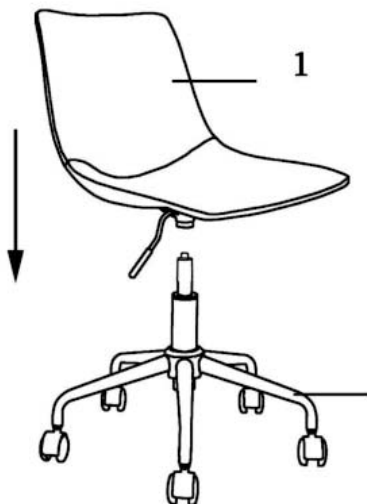
I REMOVE THE CAP BEFORE ASSEMBLE



II THE R SIGN MUST FACE THE FRONT OF THE CHAIR



III



IV



For missing parts or damaged parts, please call

USA : 1-866-798-6663

Canada : 514-382-6661

AI-V2-210110