








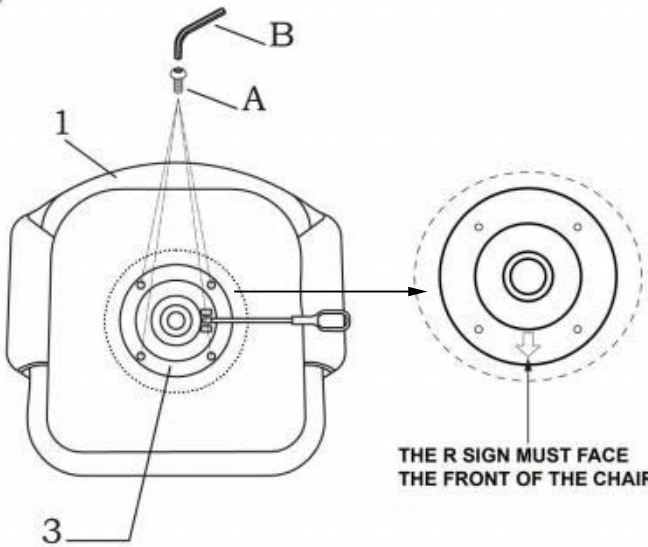
ITEM NAME/NOM D'ITEM: PLANNER OFFICE CHAIR
 ITEM #/NO.ITEM: 101833 / 101834 / 101835

PARTS LIST/LISTE DES PIÈCES

(1)	(2)	(3)	(4)	(5)	(6)
 x1	 x1	 x1	 x1	 x5	A.  M6x18mm x4 B.  5mm x1

ASSEMBLY INSTRUCTIONS/INSTRUCTIONS D'ASSEMBLAGE

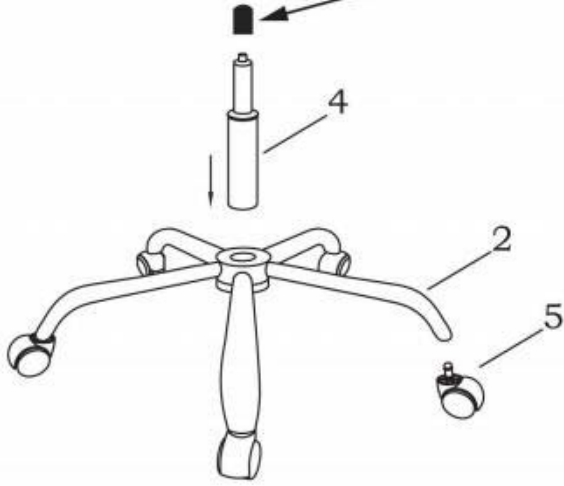
I



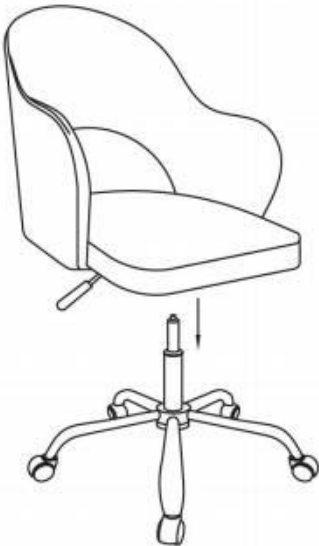
THE R SIGN MUST FACE THE FRONT OF THE CHAIR

II


REMOVE THE CAP BEFORE ASSEMBLE



III



IV



For missing parts or damaged parts, please call

USA : 1-866-798-6663

Canada : 514-382-6661