
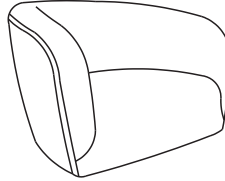





ITEM NAME/NOM D'ITEM: SHERPA ACCENT CHAIR
ITEM #/NO. ITEM: 101868


PART LIST/LISTE DES PIÈCES


(1)	(2)	(3)
 <p style="text-align: right;">x4</p>	 <p style="text-align: right;">x1</p>	<p>A.  M6 x 20mm x12</p> <p>B.  4mm x1</p>

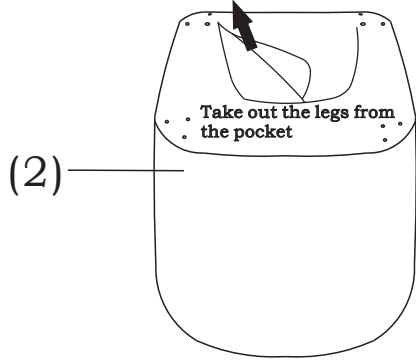
ASSEMBLY INSTRUCTIONS/INSTRUCTIONS D'ASSEMBLAGE

I

(1)  x 4

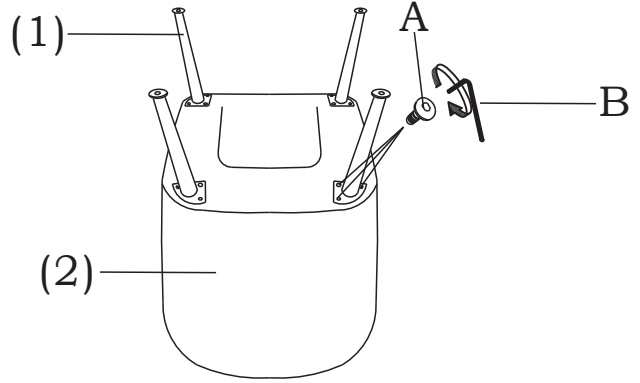
A  x 12

B  x 1



(2)

II



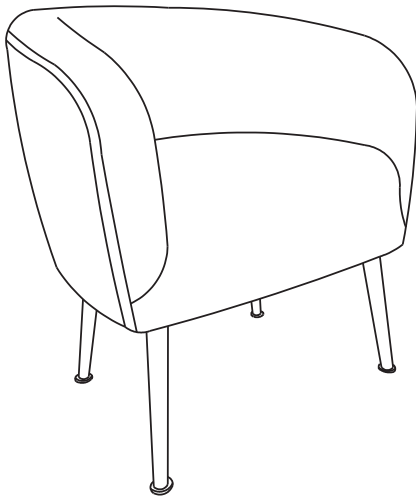
(1)

(2)

A

B

III



For missing parts or damaged parts, please call

USA : 1- 866- 798- 6663

Canada : 514- 382- 6661