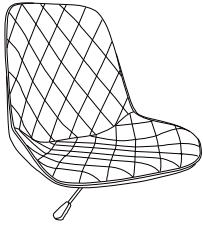

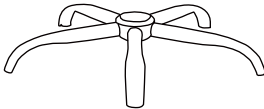



**ITEM NAME/NOM D'ITEM: CEANNAIRE OFFICE CHAIR**

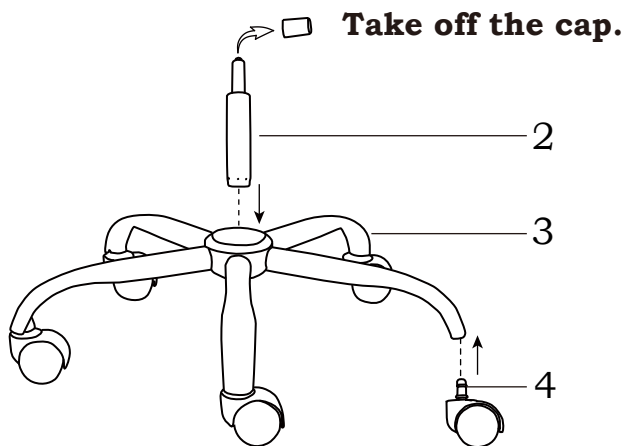
**ITEM #/NO. ITEM: 101981/101982/101983**

**PART LIST/LISTE DES PIÈCES**

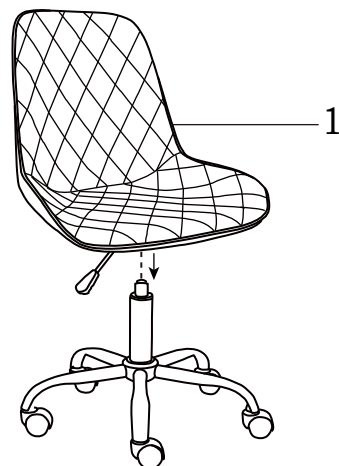
(1)	(2)	(3)	(4)
 <p style="text-align: center;">x1</p>	 <p style="text-align: center;">x1</p>	 <p style="text-align: center;">x1</p>	 <p style="text-align: center;">x5</p>

**ASSEMBLY INSTRUCTIONS/INSTRUCTIONS D'ASSEMBLAGE**

I



II



III



For missing parts or damaged parts, please call

USA : 1-866-798-6663

Canada : 514-382-6661