

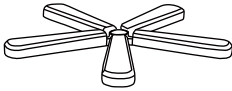




ITEM NAME/NOM D'ITEM: GABLES OFFICE CHAIR

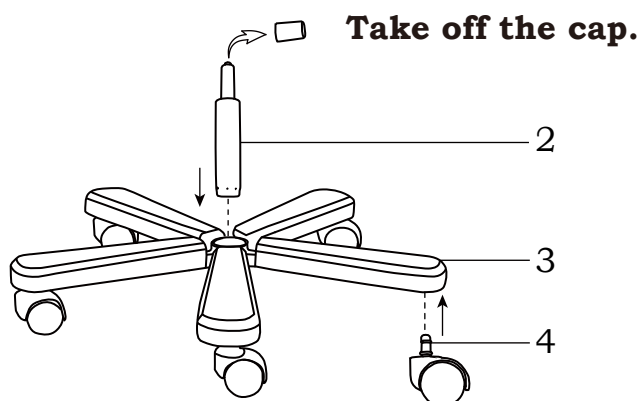
ITEM #/NO. ITEM: 102001/102002

PART LIST/LISTE DES PIÈCES

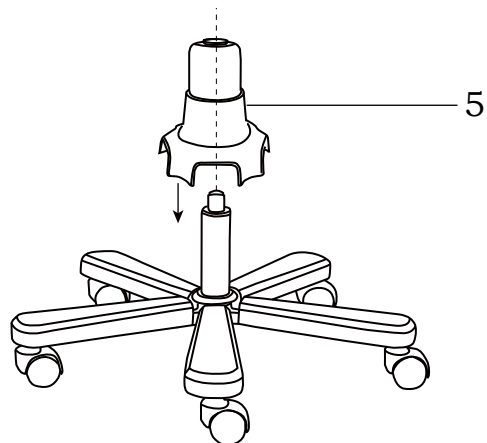
(1)	(2)	(3)	(4)	(5)
				
x1	x1	x1	x5	x1

ASSEMBLY INSTRUCTIONS/INSTRUCTIONS D'ASSEMBLAGE

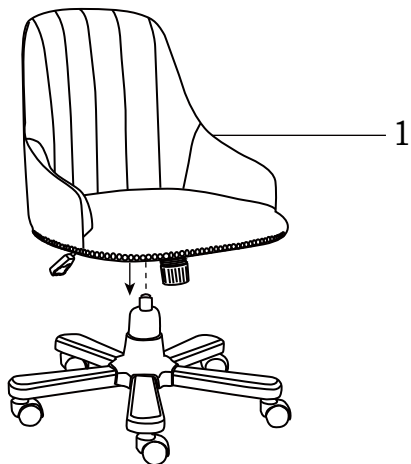
I



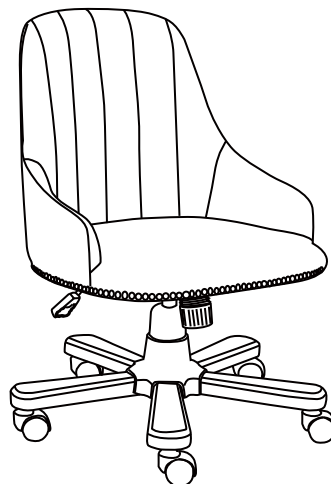
II



III



IV



For missing parts or damaged parts, please call

USA : 1-866-798-6663

Canada : 514-382-6661